



**Cambridge International Examinations**  
Cambridge International General Certificate of Secondary Education

CANDIDATE  
NAME

CENTRE  
NUMBER

--	--	--	--	--	--

CANDIDATE  
NUMBER

--	--	--	--	--

**MATHEMATICS**

**0580/21**

Paper 2 (Extended)

**October/November 2016**

**1 hour 30 minutes**

Candidates answer on the Question Paper.

Additional Materials:      Electronic calculator  
   Tracing paper (optional)

Geometrical instruments

**READ THESE INSTRUCTIONS FIRST**

Write your Centre number, candidate number and name on all the work you hand in.

Write in dark blue or black pen.

You may use an HB pencil for any diagrams or graphs.

Do not use staples, paper clips, glue or correction fluid.

DO **NOT** WRITE IN ANY BARCODES.

Answer **all** questions.

If working is needed for any question it must be shown below that question.

Electronic calculators should be used.

If the degree of accuracy is not specified in the question, and if the answer is not exact, give the answer to three significant figures. Give answers in degrees to one decimal place.

For  $\pi$ , use either your calculator value or 3.142.

At the end of the examination, fasten all your work securely together.

The number of marks is given in brackets [ ] at the end of each question or part question.

The total of the marks for this paper is 70.

The syllabus is approved for use in England, Wales and Northern Ireland as a Cambridge International Level 1/Level 2 Certificate.

This document consists of **12** printed pages.

2

- 1 Write down the temperature which is  $5^{\circ}\text{C}$  below  $-2^{\circ}\text{C}$ .

.....  $^{\circ}\text{C}$  [1]

- 2 Write 0.040 190 7 correct to

(a) 3 significant figures,

..... [1]

(b) 3 decimal places.

..... [1]

- 3 The price of a toy is 12 euros (€) in Germany and 14 Swiss francs in Switzerland.  
1 Swiss franc = €0.905

Calculate the difference between these two prices.  
Give your answer in euros.

€ ..... [2]

- 4 Work out  $\frac{2}{3} - \frac{1}{4}$ , giving your answer as a fraction in its lowest terms.

Do not use a calculator and show all the steps of your working.

..... [2]

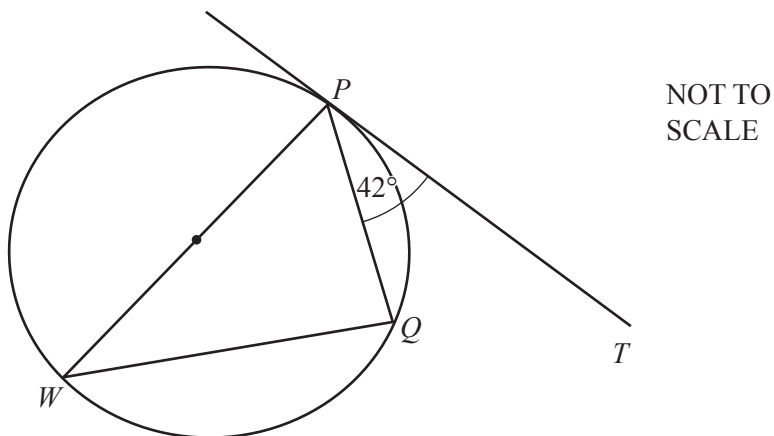
5 (a) Write  $5^{-3}$  as a fraction.

..... [1]

(b) Write 0.004 56 in standard form.

..... [1]

6



In the diagram,  $PT$  is a tangent to the circle at  $P$ .  
 $PW$  is a diameter and angle  $TPQ = 42^\circ$ .

Find angle  $PWQ$ .

Angle  $PWQ =$  ..... [2]

7 Simplify.

$$\frac{x^3y + 2xy^3}{x^2y^2}$$

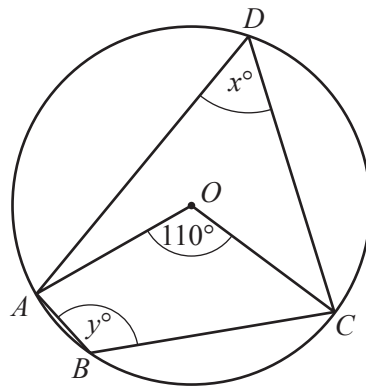
..... [2]

8 Write as a single fraction.

$$1 - \frac{2}{p} - \frac{3}{t}$$

..... [2]

9



NOT TO SCALE

$A, B, C$  and  $D$  lie on the circle, centre  $O$ .

Find the value of  $x$  and the value of  $y$ .

$x =$  .....

$y =$  ..... [2]

10 Simplify.

$$(36x^{16})^{\frac{1}{2}}$$

..... [2]

- 11 Solve the simultaneous equations.  
You must show all your working.

$$\begin{aligned}2x + 3y &= 13 \\ x + 2y &= 9\end{aligned}$$

$x = \dots\dots\dots$

$y = \dots\dots\dots [3]$

- 12 (a) Write \$0.70 as a fraction of \$5.60, giving your answer in its lowest terms.

$\dots\dots\dots [1]$

- (b) Write the recurring decimal  $0.\dot{1}\dot{8}$  as a fraction in its lowest terms.  
[  $0.\dot{1}\dot{8}$  means  $0.181818\dots$  ]

$\dots\dots\dots [2]$

13 Factorise completely.

(a)  $4p^2 - 9$

..... [1]

(b)  $2ax - 4bx - ay + 2by$

..... [2]

14  $y$  is directly proportional to the square root of  $(x + 2)$ .

When  $x = 7$ ,  $y = 2$ .

Find  $y$  when  $x = 98$ .

$y =$  ..... [3]

15 Work out.

(a)  $2\begin{pmatrix} 3 \\ 5 \end{pmatrix} - \begin{pmatrix} 1 \\ 2 \end{pmatrix}$

..... [1]

(b)  $\begin{pmatrix} 1 & 2 \end{pmatrix} \begin{pmatrix} 2 \\ 3 \end{pmatrix}$

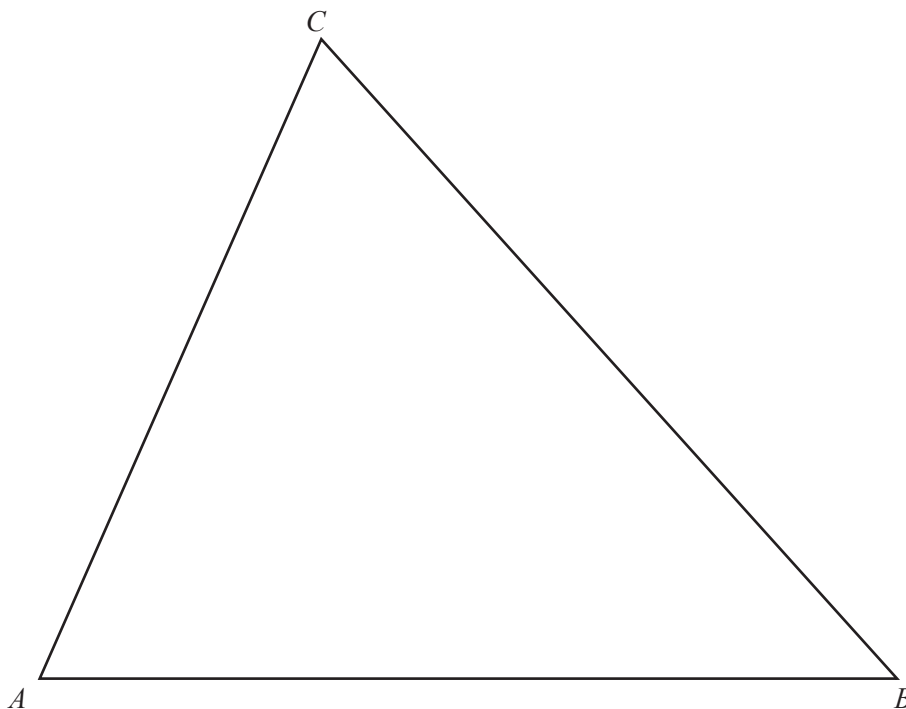
..... [2]

- 16 Two cups are mathematically similar.  
The larger cup has capacity 0.5 litres and height 8 cm.  
The smaller cup has capacity 0.25 litres.

Find the height of the smaller cup.

..... cm [3]

17



- (a) Construct the locus of points, inside the triangle, that are 5 cm from  $B$ . [1]
- (b) Construct the locus of points, inside the triangle, that are equidistant from  $AB$  and  $BC$ . [2]
- (c) Shade the region, inside the triangle, containing points that are
- more than 5 cm from  $B$
  - and
  - nearer to  $AB$  than to  $BC$ . [1]

**18**  $y = p^2 + qr$

(a) Find  $y$  when  $p = -5$ ,  $q = 3$  and  $r = -7$ .

$y = \dots\dots\dots$  [2]

(b) Write  $p$  in terms of  $q$ ,  $r$  and  $y$ .

$p = \dots\dots\dots$  [2]

**19** Find the  $n$ th term of each sequence.

(a) 7, 13, 19, 25, 31, ...

$\dots\dots\dots$  [2]

(b) 9, 16, 25, 36, 49, ...

$\dots\dots\dots$  [2]



20 A train travels for  $m$  minutes at a speed of  $x$  metres per second.

- (a) Find the distance travelled, in **kilometres**, in terms of  $m$  and  $x$ .  
Give your answer in its simplest form.

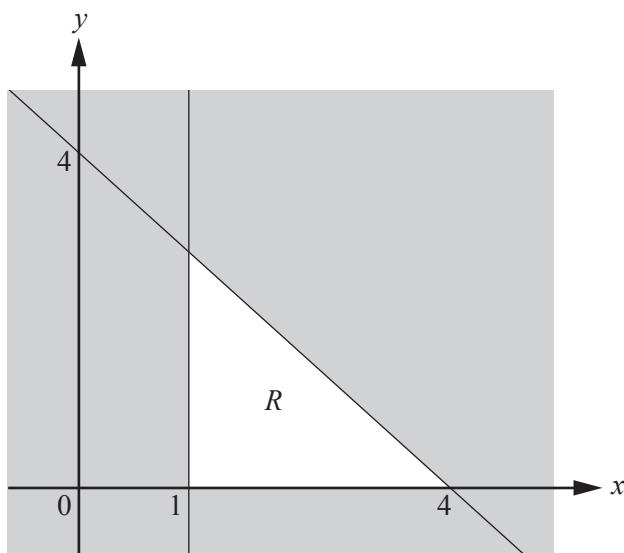
..... km [2]

- (b) When  $m = 5$ , the train travels 10.5 km.

Find the value of  $x$ .

$x =$  ..... [2]

21

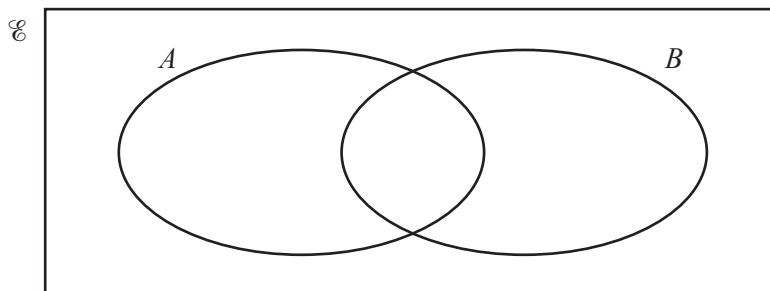


NOT TO  
SCALE

Write down the three inequalities that define the unshaded region,  $R$ .

.....  
.....  
..... [4]

22 (a)  $n(\mathcal{E}) = 10$ ,  $n(A) = 7$ ,  $n(B) = 6$ ,  $n(A \cup B)' = 1$ .



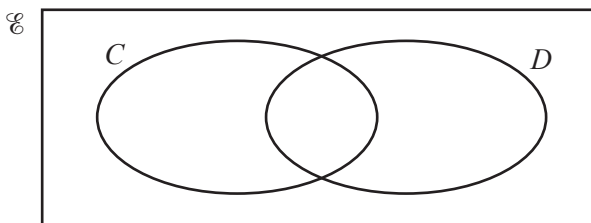
(i) Complete the Venn diagram by writing the number of elements in each subset. [2]

(ii) An element of  $\mathcal{E}$  is chosen at random.

Find the probability that this element is an element of  $A' \cap B$ .

..... [1]

(b) On the Venn diagram below, shade the region  $C' \cap D'$ .

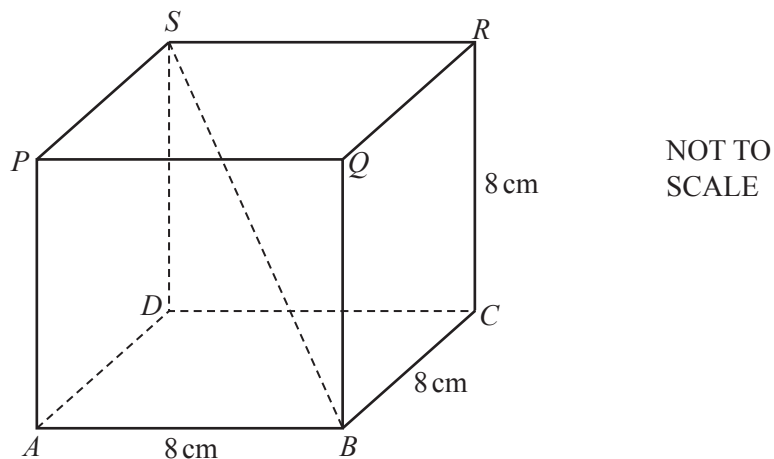


[1]

- 23 Solve the equation  $2x^2 + 3x - 3 = 0$ .  
Show all your working and give your answers correct to 2 decimal places.

$$x = \dots\dots\dots \text{ or } x = \dots\dots\dots [4]$$

**Question 24 is printed on the next page.**



The diagram shows a cube of side length 8 cm.

- (a) Calculate the length of the diagonal  $BS$ .

$$BS = \dots\dots\dots \text{ cm [3]}$$

- (b) Calculate angle  $SBD$ .

$$\text{Angle } SBD = \dots\dots\dots [2]$$

Permission to reproduce items where third-party owned material protected by copyright is included has been sought and cleared where possible. Every reasonable effort has been made by the publisher (UCLES) to trace copyright holders, but if any items requiring clearance have unwittingly been included, the publisher will be pleased to make amends at the earliest possible opportunity.

To avoid the issue of disclosure of answer-related information to candidates, all copyright acknowledgements are reproduced online in the Cambridge International Examinations Copyright Acknowledgements Booklet. This is produced for each series of examinations and is freely available to download at [www.cie.org.uk](http://www.cie.org.uk) after the live examination series.

Cambridge International Examinations is part of the Cambridge Assessment Group. Cambridge Assessment is the brand name of University of Cambridge Local Examinations Syndicate (UCLES), which is itself a department of the University of Cambridge.